

# X-HUB MTB SL X-Lefty

## SPECIFICATION

Spoke hole drilling: 28/32

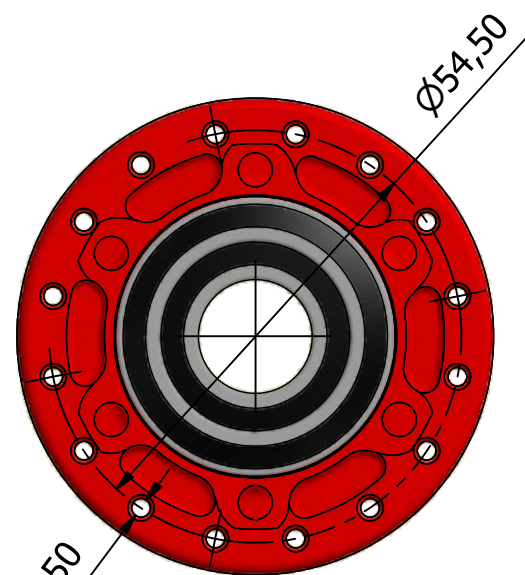
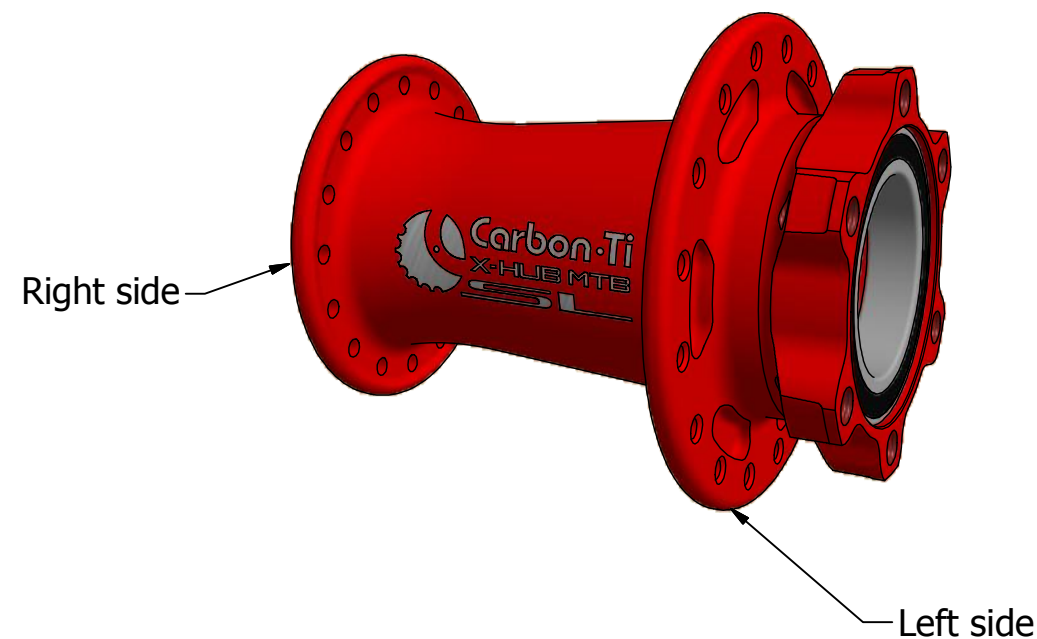
Spoke hole diameter: 2,5mm

Pitch Circle Diameter Left Flange: 54,4mm

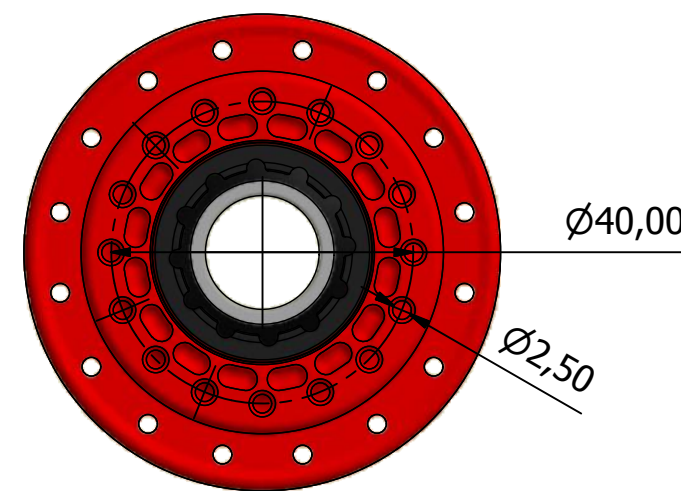
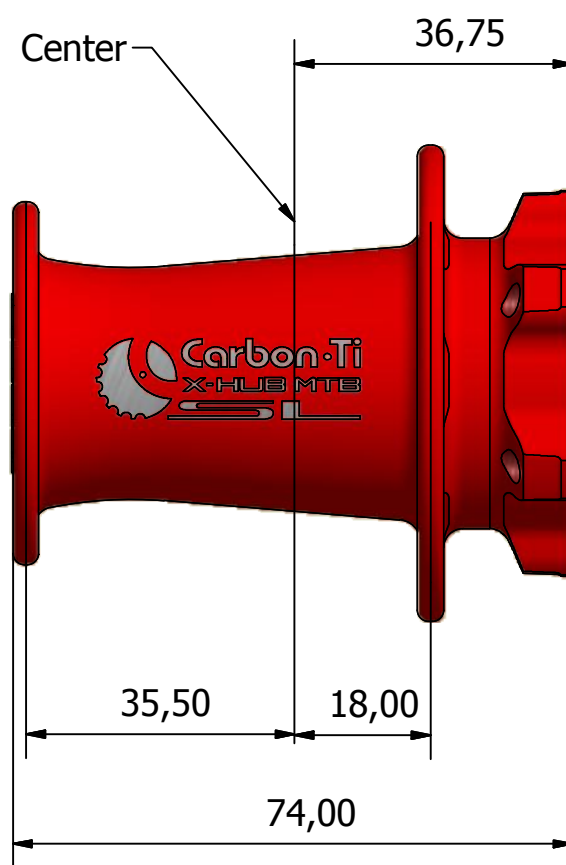
Pitch Circle Diameter Right Flange: 40mm

Left Flange to Center: 18mm

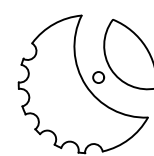
Right Flange to Center: 35,5mm



Left Side



Right Side



Carbon-Ti

X-HUB MTB SL X-Lefty

Specifiche di assemblaggio mozzo

Made in Italy